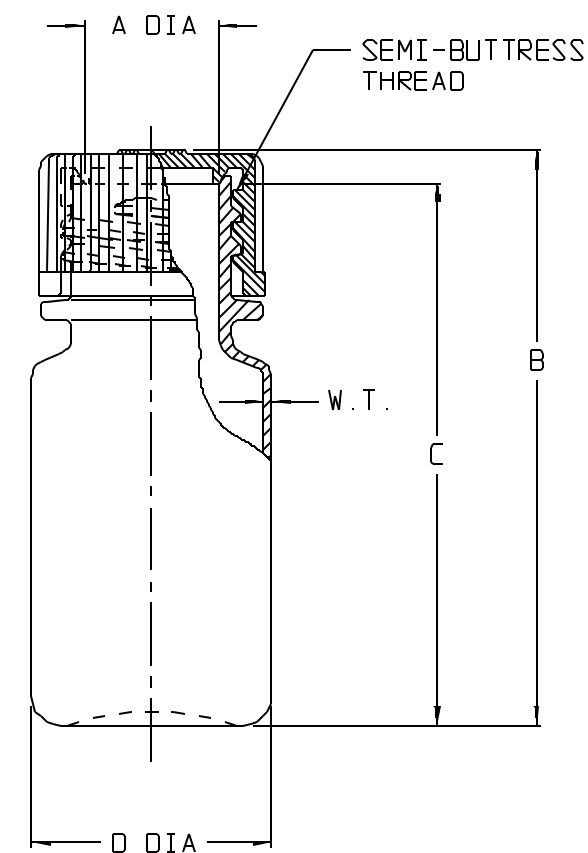


CATALOG NO.	NOMINAL CAPACITY, (oz)				MATERIALS	
					BOTTLE	CLOSURE
002002	1/8	1/4	1/2	1	HDPE	PP
002003	1/8	1/4	1/2	1	LDPE	PP
002004	1/8	1/4	1/2	1	AMBER HDPE	PP
002006	1/8	1/4	1/2	1	PP	PP

SIZE CODE.....:	-9125		-9025		-9050		-0001	
SIZE (NOM VOL mL/oz):	4 / 1/8		8 / 1/4		15 / 1/2		32 / 1	
NOM. BRIM CAP. (mL):	4.2		12		17		34	
NECK FINISH (mm)....:	13-415		20-415		20-415		20-415	
THREAD (T.P.I.)....:	12		8		8		8	
NOM. WEIGHT W/CLOSURE (gms)....:	2.6		6		7		8	
	INCH	MM	INCH	MM	INCH	MM	INCH	MM
A (BTLE. NECK I.D.):	0.32±.02	8.1±0.5	0.54±.02	13.7±0.5	0.54±.02	13.7±0.5	0.54±.02	13.7±0.5
B (HT. W/CLOSURE)....:	1.60±.04	40.6±1.0	1.78±.05	45.2±1.3	2.30±.06	58.4±1.5	2.40±.07	61.0±1.8
C (HT. W/O CLOSURE):	1.52±.04	38.6±1.0	1.66±.05	42.2±1.3	2.20±.06	55.9±1.5	2.30±.07	58.4±1.8
D (DIA).....:	0.62±.04	15.8±1.0	0.98±.04	24.9±1.0	0.98±.04	24.9±1.0	1.35±.05	34.3±1.3
W.T.(NOM. WALL THK):	0.050	1.27	0.035	0.90	0.035	0.90	0.035	0.90

NOTES:

1. ALL DIMENSIONS ARE NOMINAL AND IN INCHES AND MILLIMETERS UNLESS OTHERWISE NOTED.
2. THIS IS NOT A PRODUCTION DRAWING, BUT IS FOR INFORMATIONAL PURPOSES ONLY, AND IS SUBJECT TO CHANGE WITHOUT NOTICE.



SPECS ON BACK

NOT TO SCALE

CONFIDENTIAL

THIS PRODUCT SPECIFICATION SHEET CONTAINS CONFIDENTIAL AND/OR PROPRIETARY INFORMATION AND IS TO BE USED ONLY FOR THE EXPRESSED PURPOSES AGREED UPON BY AN AUTHORIZED OFFICER OF THERMO FISHER SCIENTIFIC.

**ThermoFisher**  
SCIENTIFIC

Thermo Fisher Scientific  
75 Panorama Creek Drive  
Rochester, NY 14625-2385, USA

MADE	DM	APP'D	PVC	PSS 00-200X-XXXX-1	REV.
CK'D	PVC		8/16/01		0801
DESCRIPTION: SMALL / DIAGNOSTIC (NARROW MOUTH), ROUND, LAB QUALITY BOTTLES					