

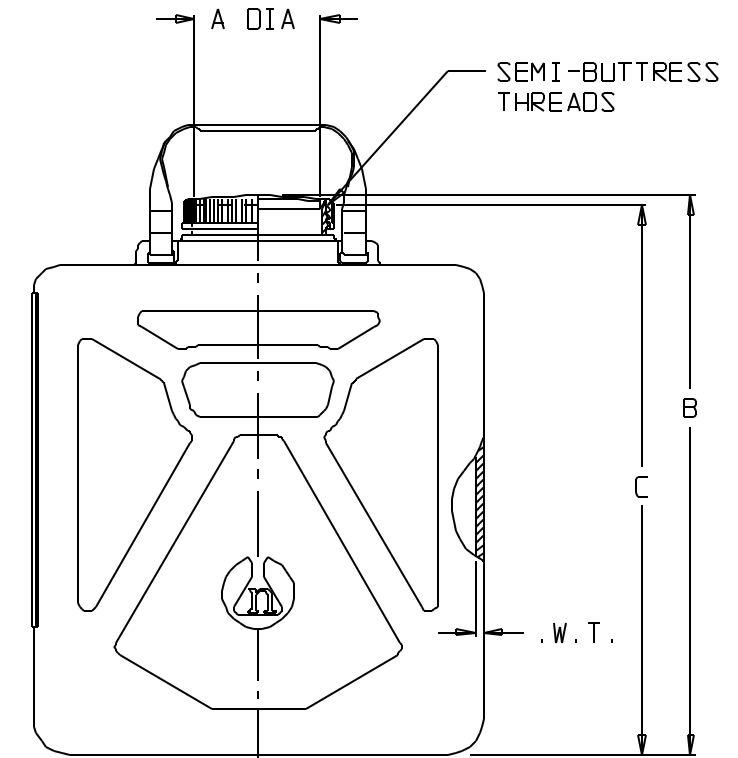
CATALOG NO.	NOMINAL CAPACITY (GAL)		MATERIALS	
			CARBOY	CLOSURE
002211	2	5	HDPE	WHITE PP
002212	2	5	PP	WHITE PP
* 0S2213	2	5	PC	WHITE PP

* NOTE: CATALOG NO. 2213 ARE CLEARBOYS™ (TRANSPARENT CARBOYS)

SIZE CODE.....	-0020		-0050	
SIZE (NOM VOL L/GAL):	9/ 2		20/ 5	
NOM. BRIM CAP. (L):	9		21	
NECK FINISH (mm):	100-415		100-415	
THREAD (T.P.I.):	5		5	
NOM. WEIGHT W/ CLOSURE(gms):	850		1600	
	INCHES	MM	INCHES	MM
A (NECK I.D.):	3.40 ±.25	86.4 ±6.35	3.40 ±.25	86.4 ±6.35
B (HT. W/ CLOSURE):	14.2 ±.2	360.7 ±5.1	15.7 ±.2	398.8 ±5.1
C (HT. W/O CLOSURE):	13.8 ±.2	350.5 ±5.1	15.3 ±.2	388.6 ±5.1
D (WIDTH):	8.66 ±.16	220.0 ±5.1	12.6 ±.2	320.0 ±5.1
E (DEPTH):	6.03 ±.12	153.2 ±3.1	9.0 ±.2	228.6 ±5.1
W.T.(NOM WALL THK):	0.08	2.0	0.08	2.0

NOTES:

1. ALL DIMENSIONS ARE NOMINAL AND IN INCHES AND MILLIMETERS UNLESS OTHERWISE NOTED.
2. THIS IS NOT A PRODUCTION DRAWING, BUT IS FOR INFORMATIONAL PURPOSES ONLY, AND IS SUBJECT TO CHANGE WITHOUT NOTICE.



SPECS ON BACK

NOT TO SCALE

CONFIDENTIAL

THIS PRODUCT SPECIFICATION SHEET CONTAINS CONFIDENTIAL AND/OR PROPRIETARY INFORMATION AND IS TO BE USED ONLY FOR THE EXPRESSED PURPOSES AGREED UPON BY AN AUTHORIZED OFFICER OF THERMO FISHER SCIENTIFIC.

ThermoFisher
SCIENTIFIC

Thermo Fisher Scientific
75 Panorama Creek Drive
Rochester, NY 14625-2385, USA

MADE MG/JDD	APP'D GRP	PSS 00-221X-XXXX-1	REV. 0907
CK'D JD	9/18/07		

DESCRIPTION:

RECTANGULAR CARBOYS