

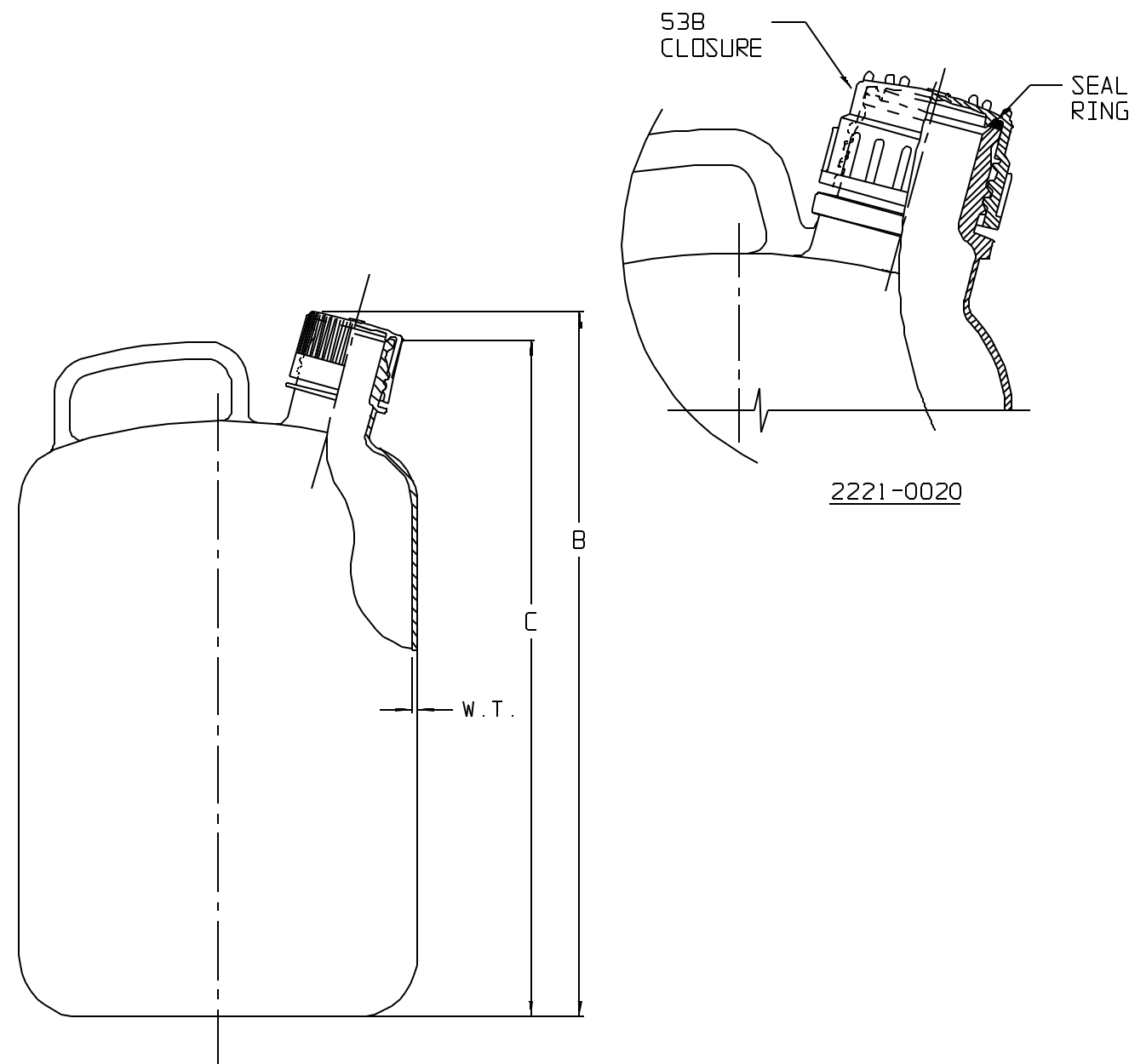
CATALOG NO.	NOMINAL CAPACITY (GAL)		MATERIALS		
			CARBOY	CLOSURE	SEAL RING
002220	1	2	LDPE	PP	—
002221	1	2	PP	PP	*TPE

* SEAL RING APPLIES ONLY TO -0020 SIZE.

SIZE CODE.....	-0010		-0020	
SIZE (NOM VOL L/GAL):	4/1		8/2	
NOM. BRIM CAP. (L):	4.1		8.2	
NECK FINISH (mm):	38-430		53B	
THREAD (T.P.I.):	6		4	
NOM. WEIGHT W/ CLOSURE(gms):	380		620	
	INCHES	MM	INCHES	MM
A (NECK I.D.):	0.98 ±.08	24.9 ±2.0	1.52 ±.08	38.6 ±2.0
B (HT. W/ CLOSURE):	11.95 ±.16	303.5 ±4.1	15.2 ±.3	386 ±8
C (HT. W/O CLOSURE):	11.84 ±.16	300.7 ±4.1	14.90 ±.18	378.5 ±4.6
D (DIA):	6.00 ±.12	152.4 ±3.0	7.66 ±.14	194.6 ±3.6
W.T.(NOM WALL THK):	0.10	24.9 ±2.0	0.10	38.6 ±2.0

NOTES:

1. ALL DIMENSIONS ARE NOMINAL AND IN INCHES AND MILLIMETERS UNLESS OTHERWISE NOTED.
2. THIS IS NOT A PRODUCTION DRAWING, BUT IS FOR INFORMATIONAL PURPOSES ONLY, AND IS SUBJECT TO CHANGE WITHOUT NOTICE.



NOT TO SCALE

SPECS ON BACK

NOT TO SCALE

CONFIDENTIAL

THIS PRODUCT SPECIFICATION SHEET CONTAINS CONFIDENTIAL AND/OR PROPRIETARY INFORMATION AND IS TO BE USED ONLY FOR THE EXPRESSED PURPOSES AGREED UPON BY AN AUTHORIZED OFFICER OF THERMO FISHER SCIENTIFIC.

ThermoFisher
SCIENTIFIC

Thermo Fisher Scientific
75 Panorama Creek Drive
Rochester, NY 14625-2385, USA

MADE	MC	APP'D	PVC	PSS 00-222X-XXXX-1	REV. 0403
CK'D	PVC		4/24/03		

DESCRIPTION:
JUGS WITH HANDLE