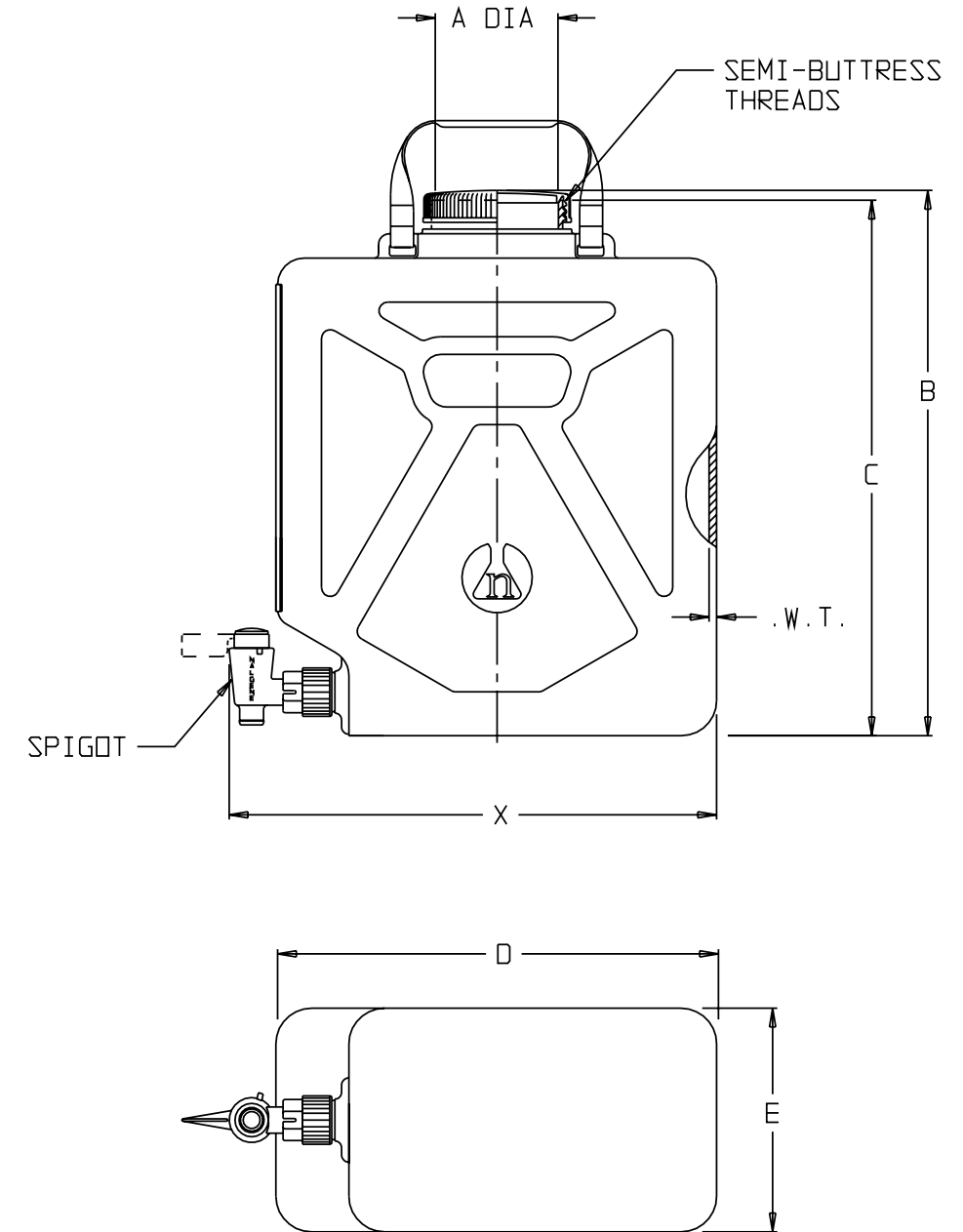


CATALOG NO.	NOMINAL CAPACITY (GAL)		MATERIALS		
			CARBOY	CLOSURE	SPIGOT (WITH TEFLON O-RING)
002320	2	5	HDPE	WHITE PP	PP
002321	2	5	PP	WHITE PP	PP
002322	2	5	PC	WHITE PP	PP
002327	2	5	FLUORINATED HDPE	FLUORINATED WHITE PP	TEFZEL

SIZE CODE.....:	-0020	-0050
SIZE (NOM VOL L/GAL):	9/ 2	20/ 5
NOM. BRIM CAP. (L)...:	9	21
NECK FINISH (mm)....:	100-415	100-415
THREAD (T.P.I.).....:	5	5
NOM. WEIGHT W/ CLOSURE(gms).....:	850	1600
A (NECK I.D.).....:	3.40 ±.25	3.40 ±.25
B (HT. W/ CLOSURE)...:	14.2 ±.2	15.7 ±.2
C (HT. W/O CLOSURE)..:	13.8 ±.2	15.3 ±.2
D (WIDTH).....:	8.66 ±.16	12.6 ±.2
E (DEPTH).....:	6.03 ±.12	9.0 ±.2
X (MAX DEPTH).....:	10.5	14.5
W.T.(NOM WALL THK)...:	0.08	0.08

NOTES:

1. ALL DIMENSIONS ARE NOMINAL AND IN INCHES AND MILLIMETERS UNLESS OTHERWISE NOTED.
2. THIS IS NOT A PRODUCTION DRAWING, BUT IS FOR INFORMATIONAL PURPOSES ONLY, AND IS SUBJECT TO CHANGE WITHOUT NOTICE.



SPECS ON BACK

NOT TO SCALE

CONFIDENTIAL

THIS PRODUCT SPECIFICATION SHEET CONTAINS CONFIDENTIAL AND/OR PROPRIETARY INFORMATION AND IS TO BE USED ONLY FOR THE EXPRESSED PURPOSES AGREED UPON BY AN AUTHORIZED OFFICER OF THERMO FISHER SCIENTIFIC.

ThermoFisher
SCIENTIFIC

Thermo Fisher Scientific
75 Panorama Creek Drive
Rochester, NY 14625-2385, USA

MADE	PB	APP'D	GRP	PSS 00-232X-XXXX-1	REV.
CK'D	PB		6/30/10		0610
DESCRIPTION:				RECTANGULAR CARBOYS WITH SPIGOT	