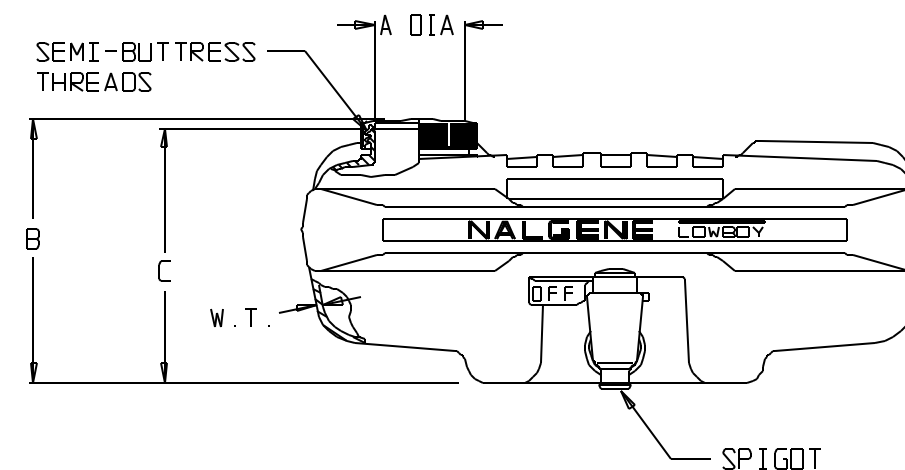
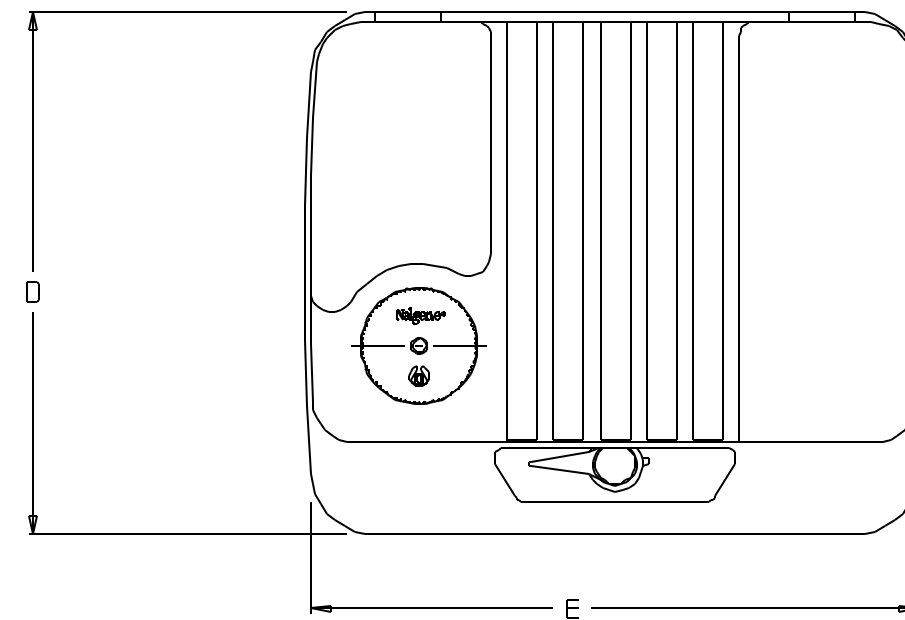


CATALOG NO.	NOMINAL CAPACITY (GAL)		MATERIALS		
			CARBOY	CLOSURE	SPIGOT (WITH TEFLON O-RING)
002323	2	4	HDPE	PP	PP
002324	2	4	PP	PP	PP

SIZE CODE.....:	-0008	-0015
SIZE (NOM VOL L/GAL):	8/2	15/4
NOM. BRIM CAP. (L):	9	16
NECK FINISH (mm):	63-415	63-415
THREAD (T.P.I.):	6	6
NOM. WEIGHT W/CLOSURE (gms):	1000	1550
A (NECK I.D.):	1.74 ±.05	1.74 ±.05
B (HT. W/CLOSURE):	6.26 ±.14	8.25 ±.16
C (HT. W/O CLOSURE):	6.13 ±.14	8.10 ±.16
D	12.0 ±.3	14.6 ±.3
E.....	14.4 ±.3	14.6 ±.3
W.T.(NOM. WALL THK):	0.07	0.07

NOTES:

1. ALL DIMENSIONS ARE NOMINAL AND IN INCHES AND MILLIMETERS UNLESS OTHERWISE NOTED.
2. THIS IS NOT A PRODUCTION DRAWING, BUT IS FOR INFORMATIONAL PURPOSES ONLY, AND IS SUBJECT TO CHANGE WITHOUT NOTICE.



SPECS ON BACK

NOT TO SCALE

CONFIDENTIAL

THIS PRODUCT SPECIFICATION SHEET CONTAINS CONFIDENTIAL AND/OR PROPRIETARY INFORMATION AND IS TO BE USED ONLY FOR THE EXPRESSED PURPOSES AGREED UPON BY AN AUTHORIZED OFFICER OF THERMO FISHER SCIENTIFIC.

ThermoFisher
SCIENTIFIC

Thermo Fisher Scientific
75 Panorama Creek Drive
Rochester, NY 14625-2385, USA

MADE	NS	APP'D PVC	PSS 00-232X-XXXX-2	REV.
CK'D	PVC	2/15/91		—
DESCRIPTION:			LOWBOYS	