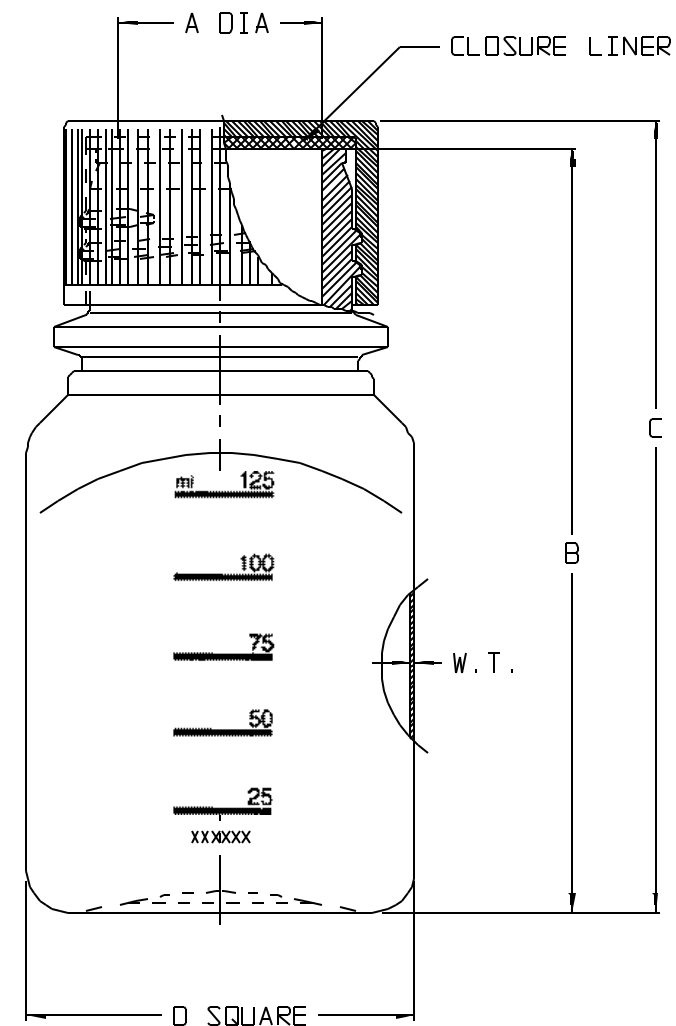


CATALOG NO.....	3030-42	
SIZE (NOM VOL. (mL).....)	125	
VOL AT NECK (mL).....	160	
MATERIALS	BOTTLE.....	PC
	CLOSURE.....	WHITE PP
	CLOSURE LINER..	SILICONE RUBBER/PP
NECK FINISH.....	38-430	
THREAD (T.P.I.).....	6	
NOM. WEIGHT W/ CLOSURE (gms).....	57	
	INCH	MM
A (NECK I.D.).....	1.06 ± .025	26.7 ± .64
B (HT. W/O CLOSURE).....	3.98 ± .08	101.1 ± 2.0
C (HT. W/ CLOSURE).....	4.12 ± .08	104.6 ± 2.0
D (SQUARE).....	2.05 ± .06	52.1 ± 1.5
W.T. (NOM. WALL THK).....	.060	1.52



SPECS ON BACK

NOT TO SCALE

NOTES:

1. ALL DIMENSIONS ARE NOMINAL AND IN INCHES AND MILLIMETERS UNLESS OTHERWISE NOTED.
2. THIS IS NOT A PRODUCTION DRAWING, BUT IS FOR INFORMATIONAL PURPOSES ONLY, AND IS SUBJECT TO CHANGE WITHOUT NOTICE.

CONFIDENTIAL

THIS PRODUCT SPECIFICATION SHEET CONTAINS CONFIDENTIAL AND/OR PROPRIETARY INFORMATION AND IS TO BE USED ONLY FOR THE EXPRESSED PURPOSES AGREED UPON BY AN AUTHORIZED OFFICER OF THERMO FISHER SCIENTIFIC.

ThermoFisher
SCIENTIFIC

Thermo Fisher Scientific
75 Panorama Creek Drive
Rochester, NY 14625-2385, USA

MADE	JDD	APP'D	PVC	PSS 3030-42	REV.	0906
CK'D	KR		9/28/06			
DESCRIPTION: BIOTAINER BOTTLE, PC, LAB, 125ml						