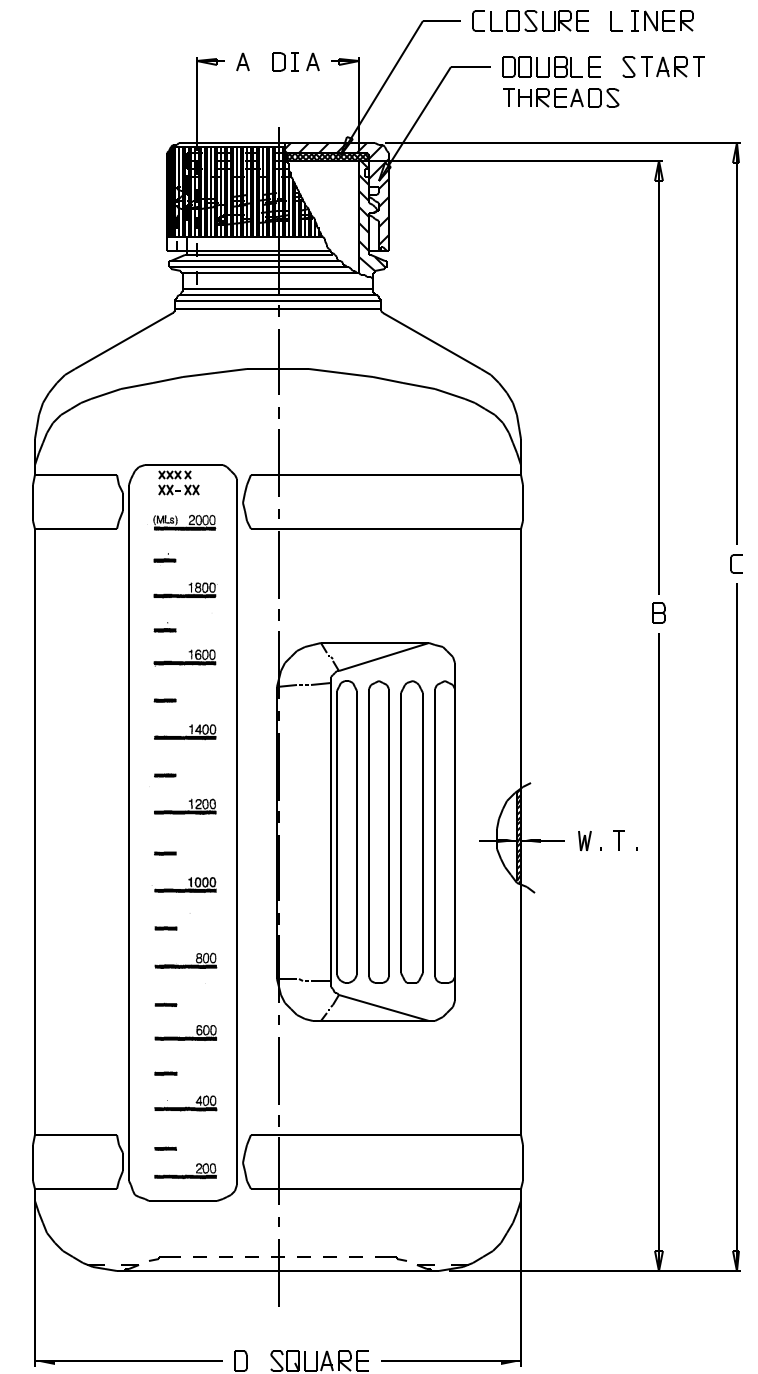


CATALOG NO.....	* 3230-20/-42	
SIZE NOM VOL. (mL).....	2000	
NOMINAL BRIM CAP. (mL)...	2,475	
MATERIALS	BOTTLE.....	PETG
	CLOSURE.....	WHITE PP
	CLOSURE LINER..	LOPE FOAM
NECK FINISH.....	48mm DOUBLE START TH'D	
THREAD (T.P.I.).....	3	
NOM. WEIGHT W/ CLOSURE (gms).....	220	
	INCH	CM
A (NECK I.D. AT TOP).....	1.44	3.6
B (HT. W/O CLOSURE).....	10.31	26.2
C (HT. W/ CLOSURE).....	10.45	26.5
D (SQUARE).....	4.55	11.6
W.T. (NOM. WALL THK).....	.04	0.1

\* 3230-20 IS BULK-PACK, STERILE  
3230-42 IS LAB-PACK, STERILE



SPECS ON BACK

NOT TO SCALE

NOTES:

1. ALL DIMENSIONS ARE NOMINAL AND IN INCHES AND MILLIMETERS UNLESS OTHERWISE NOTED.
2. THIS IS NOT A PRODUCTION DRAWING, BUT IS FOR INFORMATIONAL PURPOSES ONLY, AND IS SUBJECT TO CHANGE WITHOUT NOTICE.

CONFIDENTIAL

THIS PRODUCT SPECIFICATION SHEET CONTAINS CONFIDENTIAL AND/OR PROPRIETARY INFORMATION AND IS TO BE USED ONLY FOR THE EXPRESSED PURPOSES AGREED UPON BY AN AUTHORIZED OFFICER OF THERMO FISHER SCIENTIFIC.

**ThermoFisher  
SCIENTIFIC**

Thermo Fisher Scientific  
75 Panorama Creek Drive  
Rochester, NY 14625-2385, USA

MADE MC <sup>2</sup>	APP'D PVC	PSS 3230-XX	REV. 0106
CK'D PVC	1/9/06		
DESCRIPTION: BIOTAINER BOTTLE, PETG, 2L			