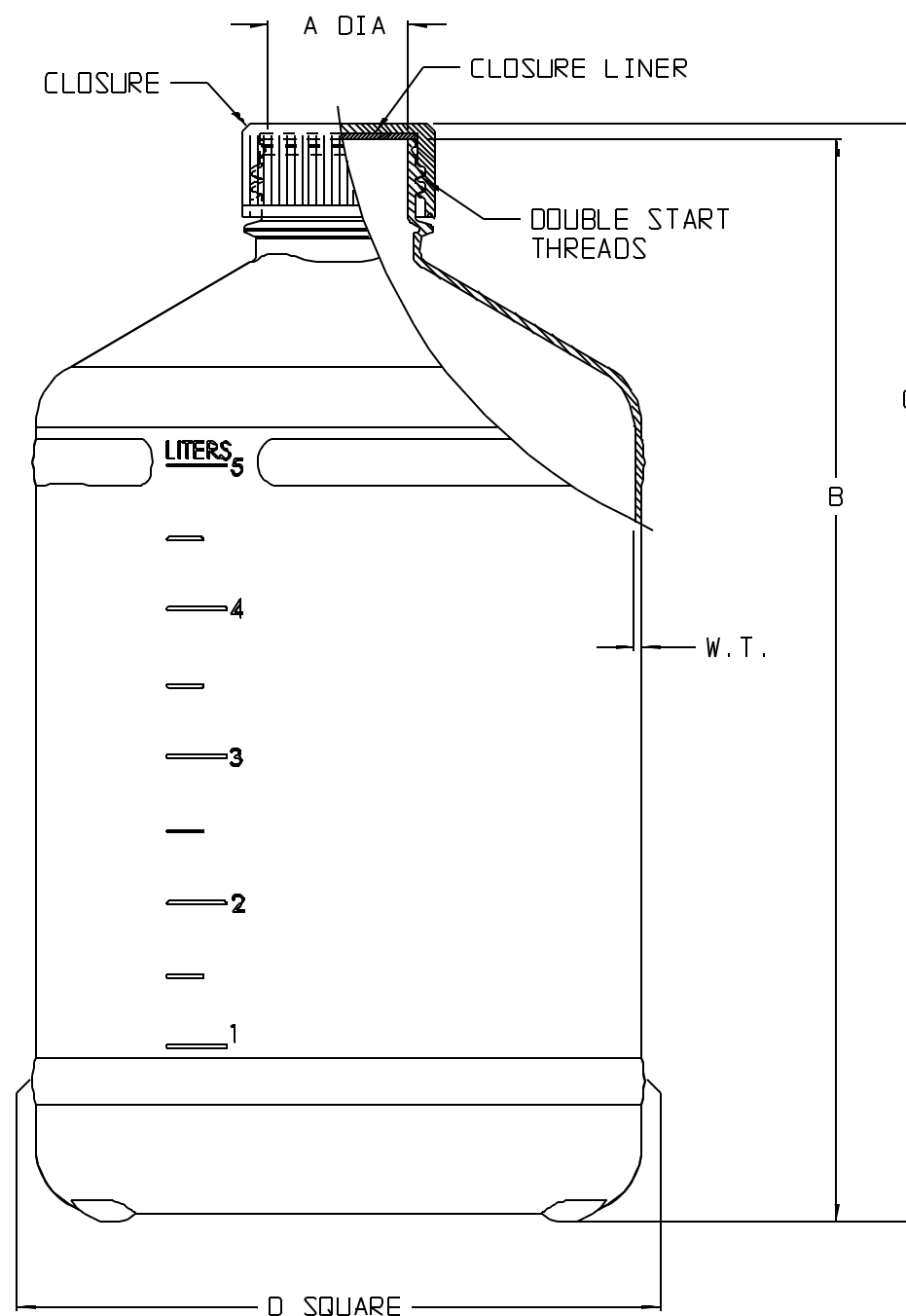


CATALOG NUMBER.....:	3415-42	
NOM. CAP. (L).....:	5	
NOM. BRIM VOL. (L).....:	5.9	
MATERIAL	CARBOY.....:	PETG
	CLOSURE.....:	WHITE PP
	CLOSURE LINER.....:	LOPE FOAM
NECK FINISH (mm).....:	48mm DOUBLE START THR'D	
THREAD (T.P.I.).....:	3	
NOM. WEIGHT W/ CLOSURE (gms).....:	400	
	INCH	CM
A (NECK I.D.).....:	1.49	3.8
B (HT. W/O CLOSURE).....:	11.63	29.5
C (HT. W/ CLOSURE).....:	11.78	29.9
D SQUARE.....:	6.54	16.6
W.T.(NOM. WALL THK).....:	0.050	0.13



SPECS ON BACK

NOT TO SCALE

NOTES:

1. ALL DIMENSIONS ARE NOMINAL AND IN INCHES AND MILLIMETERS UNLESS OTHERWISE NOTED.
2. THIS IS NOT A PRODUCTION DRAWING, BUT IS FOR INFORMATIONAL PURPOSES ONLY, AND IS SUBJECT TO CHANGE WITHOUT NOTICE.

CONFIDENTIAL

THIS PRODUCT SPECIFICATION SHEET CONTAINS CONFIDENTIAL AND/OR PROPRIETARY INFORMATION AND IS TO BE USED ONLY FOR THE EXPRESSED PURPOSES AGREED UPON BY AN AUTHORIZED OFFICER OF THERMO FISHER SCIENTIFIC.

ThermoFisher
SCIENTIFIC

Thermo Fisher Scientific
75 Panorama Creek Drive
Rochester, NY 14625-2385, USA

MADE	JDD	APP'D	BR	PSS 3415-42	REV.	0407
CK'D	KR					

DESCRIPTION:
5L BIOTAINER CARBOY