

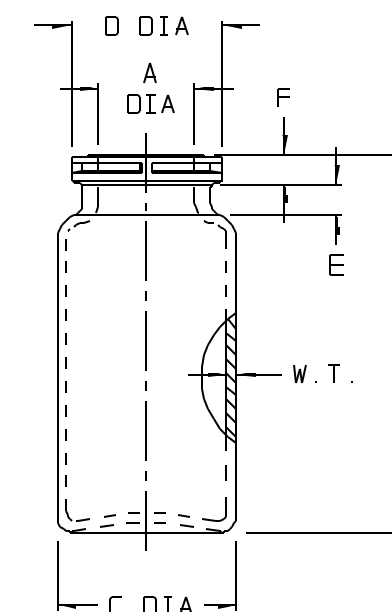
CATALOG NUMBER	NOMINAL CAPACITY, (nL)				MATERIAL
342030	3	5	10	20	PETG

SIZE CODE.....	-0003		-0005	
NOM. CAP. (nL).....	3		5	
NOM. WEIGHT (gms).....	2.7		4.9	
	INCH	MM	INCH	MM
A (NECK I.D.).....	0.280 ±.007	7.10 ±.18	0.500 ±.008	12.70 ±.20
B (OVERALL HEIGHT).....	1.465 ±.020	37.20 ±.50	1.555 ±.020	39.50 ±.50
C (BODY DIA).....	0.655 ±.010	16.65 ±.25	0.876 ±.010	22.25 ±.25
D (CROWN OD).....	0.518 ±.008	13.15 ±.20	0.785 ±.010	19.95 ±.25
E (MIN. NECK HEIGHT).....	0.151	3.85	0.142	3.60
F (CROWN HEIGHT).....	0.155 ±.008	3.95 ±.020	0.141 ±.008	3.60 ±.20
W.T. (NOM. WALL THKNSS).....	0.040	1.00	0.047	1.20
USE WITH STOPPER SIZE.....	13mm		20mm	

SIZE CODE.....	-0010		-0020	
NOM. CAP. (nL).....	10		20	
NOM. WEIGHT (gms).....	6.2		10.1	
	INCH	MM	INCH	MM
A (NECK I.D.).....	0.500 ±.008	12.70 ±.20	0.500 ±.008	12.70 ±.20
B (OVERALL HEIGHT).....	1.969 ±.020	50.00 ±.50	2.284 ±.020	58.00 ±.50
C (BODY DIA).....	0.935 ±.010	23.75 ±.25	1.170 ±.010	29.70 ±.25
D (CROWN OD).....	0.785 ±.010	19.95 ±.25	0.785 ±.010	19.95 ±.25
E (MIN. NECK HEIGHT).....	0.164	4.15	0.185	4.70
F (CROWN HEIGHT).....	0.141 ±.008	3.60 ±.20	0.141 ±.008	3.60 ±.20
W.T. (NOM. WALL THKNSS).....	0.047	1.20	0.047	1.20
USE WITH STOPPER SIZE.....	20mm		20mm	

NOTES:

1. ALL DIMENSIONS ARE NOMINAL AND IN INCHES AND MILLIMETERS UNLESS OTHERWISE NOTED.
2. THIS IS NOT A PRODUCTION DRAWING, BUT IS FOR INFORMATIONAL PURPOSES ONLY, AND IS SUBJECT TO CHANGE WITHOUT NOTICE.



SPECS ON BACK

NOT TO SCALE

CONFIDENTIAL

THIS PRODUCT SPECIFICATION SHEET CONTAINS CONFIDENTIAL AND/OR PROPRIETARY INFORMATION AND IS TO BE USED ONLY FOR THE EXPRESSED PURPOSES AGREED UPON BY AN AUTHORIZED OFFICER OF THERMO FISHER SCIENTIFIC.

**ThermoFisher**  
**SCIENTIFIC**

Thermo Fisher Scientific  
75 Panorama Creek Drive  
Rochester, NY 14625-2385, USA

MADE	MC <sup>2</sup>	APP'D	PVC	PSS 342030-00XX	REV. 0803
CK'D	PVC		8/15/03		

DESCRIPTION:  
SERUM VIALS, CRIMP FINISH