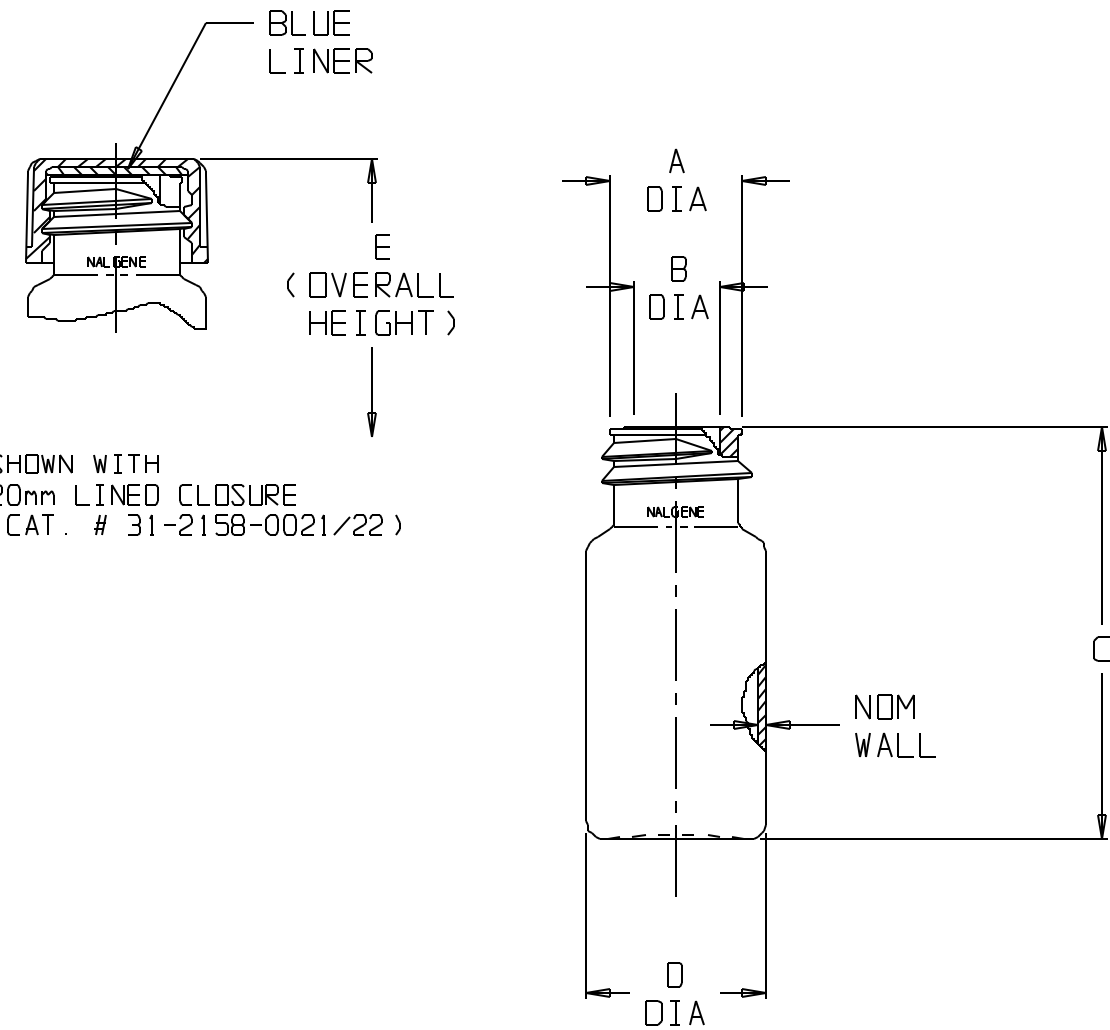


CATALOG NO.	NOMINAL CAPACITY (oz)			MATERIALS
002035	5	10	20	PETG
342032	5	10	20	PETG
342033	5	10	20	AMBER PETG
342035	5	10	20	PETG

SIZE CODE.....	-0005		-0010		-0020	
SIZE (NOM VOL nL)...	5		10		20	
NOM. BRIM CAP. (nL):	10		15		27	
NECK FINISH (mm)...	20-415		20-415		20-415	
THREAD (T.P.I.)....	8		8		8	
NOM. WEIGHT W/O CLOSURE (gms)...	6		7		11	
	INCH	MM	INCH	MM	INCH	MM
A (CROWN O.D.).....	0.69 ±.01	17.5 ±0.3	0.69 ±.01	17.5 ±0.3	0.69 ±.01	17.5 ±0.3
B (NECK I.D.).....	.450 ±.008	11.43 ±.20	.450 ±.008	11.43 ±.20	.450 ±.008	11.43 ±.20
C (HT. W/O CLOSURE):	1.73 ±.02	43.9 ±.5	2.13 ±.02	54.1 ±.5	2.46 ±.02	62.5 ±.5
D (DIA).....	.876 ±.010	22.25 ±.25	.935 ±.010	23.75 ±.25	1.170 ±.010	29.72 ±.25
E (HT. W/ CLOSURE):	1.81 ±.02	45.9 ±.5	2.21 ±.02	56.1 ±.5	2.54 ±.02	64.5 ±.5
W.T. (NOM WALL THK):	0.047	1.20	0.047	1.20	0.047	1.20

NOTES:

1. ALL DIMENSIONS ARE NOMINAL AND IN INCHES AND MILLIMETERS UNLESS OTHERWISE NOTED.
2. THIS IS NOT A PRODUCTION DRAWING, BUT IS FOR INFORMATIONAL PURPOSES ONLY, AND IS SUBJECT TO CHANGE WITHOUT NOTICE.



SPECS ON BACK

NOT TO SCALE

CONFIDENTIAL

THIS PRODUCT SPECIFICATION SHEET CONTAINS CONFIDENTIAL AND/OR PROPRIETARY INFORMATION AND IS TO BE USED ONLY FOR THE EXPRESSED PURPOSES AGREED UPON BY AN AUTHORIZED OFFICER OF THERMO FISHER SCIENTIFIC.

ThermoFisher
SCIENTIFIC

Thermo Fisher Scientific
75 Panorama Creek Drive
Rochester, NY 14625-2385, USA

MADE	JGJ	APP'D	PVC	PSS 34-203X-00XX	REV.	1000
CK'D	PVC		5/16/02			

DESCRIPTION:
THREADED PETG VIALS, STERILE