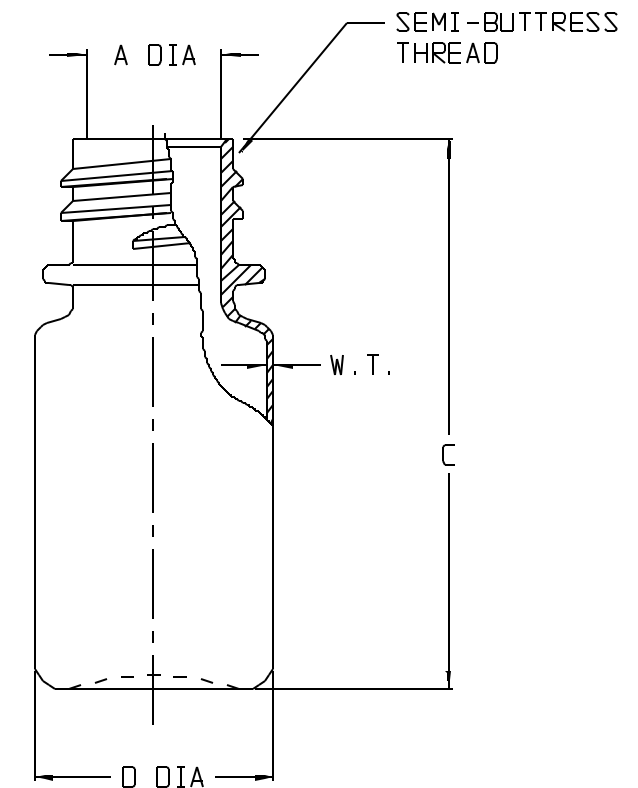


CATALOG NO.	NOMINAL CAPACITY (nL)			MATERIAL
362002	1/8	1/4	1/2	HDPE
362004	1/8	1/4	1/2	AMBER HDPE
362006	1/8	1/4	1/2	PP
362008	1/8	1/4	1/2	WHITE HDPE

SIZE CODE.....	-9125		-9025		-9050	
NOM VOL mL/oz.....	4 / 1/8		8 / 1/4		15 / 1/2	
NOM BRIM CAP mL.....	4.2		12		17	
NECK FINISH(mm).....	13-415		20-415		20-415	
THREAD (T.P.I.).....	12		8		8	
NOM WGT (gms).....	2		4		5	
	INCH	MM	INCH	MM	INCH	MM
A (NECK I.D.).....	0.32±.02	8.1±0.5	0.54±.02	13.7±0.5	0.54±.02	13.7±0.5
C (BTL HGT).....	1.52±.04	38.6±1.0	1.66±.05	42.2±1.3	2.20±.06	55.9±1.5
D (DIA).....	0.62±.04	15.8±1.0	0.98±.04	24.9±1.0	0.98±.04	24.9±1.0
WT (NOM. WALL THK.):	0.050	1.27	0.035	0.90	0.035	0.90

NOTES:

1. ALL DIMENSIONS ARE NOMINAL AND IN INCHES AND MILLIMETERS UNLESS OTHERWISE NOTED.
2. THIS IS NOT A PRODUCTION DRAWING, BUT IS FOR INFORMATIONAL PURPOSES ONLY, AND IS SUBJECT TO CHANGE WITHOUT NOTICE.



SPECS ON BACK

NOT TO SCALE

CONFIDENTIAL

THIS PRODUCT SPECIFICATION SHEET CONTAINS CONFIDENTIAL AND/OR PROPRIETARY INFORMATION AND IS TO BE USED ONLY FOR THE EXPRESSED PURPOSES AGREED UPON BY AN AUTHORIZED OFFICER OF THERMO FISHER SCIENTIFIC.

ThermoFisher
SCIENTIFIC

Thermo Fisher Scientific
75 Panorama Creek Drive
Rochester, NY 14625-2385, USA

MADE	MC ²	APP'D	GRP	PSS 36-200X-XXXX-1	REV.
CK'D	JD		9/10/07		0907
DESCRIPTION: SMALL / DIAGNOSTIC (NARROW MOUTH) ROUND BOTTLES					