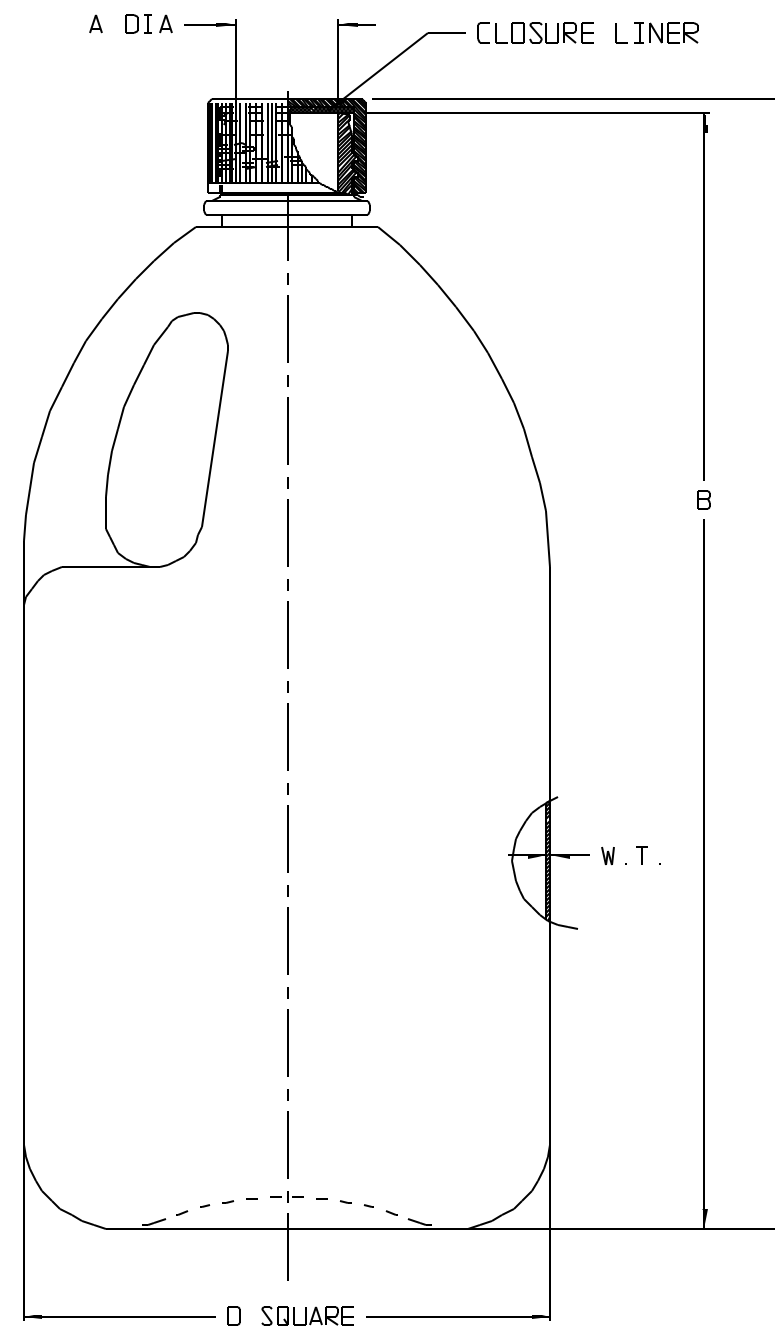


CATALOG NO.:	* 3751-24/-42	
SIZE (NOM VOL. (L)).....:	3.0	
NOM. BRIM VOL. (L).....:	3.9	
MATERIALS	BOTTLE.....:	HDPE
	CLOSURE.....:	WHITE PP
	CLOSURE LINER.....:	SILICONE RUBBER/PP
NECK FINISH.....:	38-430	
THREAD (T.P.I.).....:	6	
NOM. WEIGHT W/ CLOSURE (gms).....:	195	
	INCH	CM
A (NECK I.D.).....:	1.11	28.2
B (HT. W/O CLOSURE).....:	11.63	29.5
C (HT. W/ CLOSURE).....:	11.77	29.9
D (SQUARE).....:	5.63	14.3
W.T. (NOM. WALL THK).....:	.042	1.07

* 3751-24 IS BULK-PACK, STERILE
3751-42 IS LAB-PACK, STERILE



SPECS ON BACK

NOT TO SCALE

NOTES:

1. ALL DIMENSIONS ARE NOMINAL AND IN INCHES AND MILLIMETERS UNLESS OTHERWISE NOTED.
2. THIS IS NOT A PRODUCTION DRAWING, BUT IS FOR INFORMATIONAL PURPOSES ONLY, AND IS SUBJECT TO CHANGE WITHOUT NOTICE.

CONFIDENTIAL

THIS PRODUCT SPECIFICATION SHEET CONTAINS CONFIDENTIAL AND/OR PROPRIETARY INFORMATION AND IS TO BE USED ONLY FOR THE EXPRESSED PURPOSES AGREED UPON BY AN AUTHORIZED OFFICER OF THERMO FISHER SCIENTIFIC.

**ThermoFisher
SCIENTIFIC**

Thermo Fisher Scientific
75 Panorama Creek Drive
Rochester, NY 14625-2385, USA

MADE	MC	APP'D	PVC	PSS 3751-XX	REV.
CK'D	PVC		1/9/06		0106
DESCRIPTION: BIOTAINER, BOTTLE, HDPE, LAB, 4L					