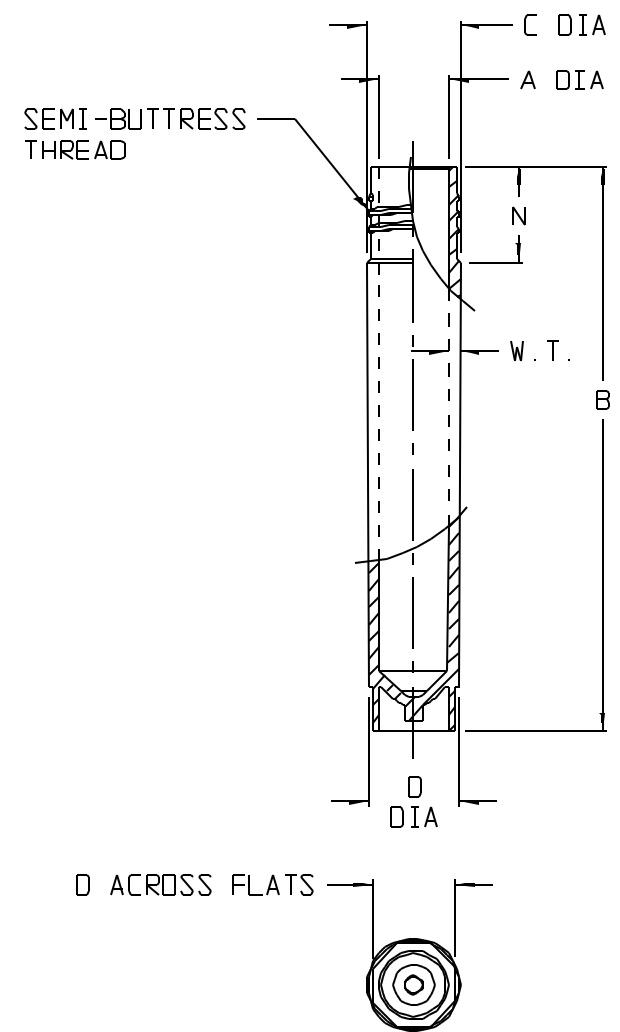


CATALOG NUMBERS.....:	342800-0045 (STERILE)	
	362800-0045 (NON-STERILE)	
MATERIAL.....:	PPCO	
SIZE (NOM VOL mL):	4.5	
NOM. BRIM CAP. (mL):	4.52	
NECK FINISH (mm):	13	
THREAD (T.P.I.):	12	
NOM. WEIGHT (gms):	3.0	
DIM. FOR IN./CM.....:	INCH	MM
A (NECK I.D.):	0.369 ±.006	9.37 ±.15
B (HT. W/O CLOSURE):	2.942 ±.015	74.73 ±.38
C (NECK DIA):	0.483 ±.006	12.3 ±0.15
D (DIA):	0.466	11.84
F (ACROSS FLATS):	0.43	10.9
N (NECK HEIGHT):	0.50	12.7
W.T.(NOM. WALL THK):	0.054	1.37



SPECS ON BACK

NOT TO SCALE

NOTES:

1. ALL DIMENSIONS ARE NOMINAL AND IN INCHES AND MILLIMETERS UNLESS OTHERWISE NOTED.
2. THIS IS NOT A PRODUCTION DRAWING, BUT IS FOR INFORMATIONAL PURPOSES ONLY, AND IS SUBJECT TO CHANGE WITHOUT NOTICE.

CONFIDENTIAL

THIS PRODUCT SPECIFICATION SHEET CONTAINS CONFIDENTIAL AND/OR PROPRIETARY INFORMATION AND IS TO BE USED ONLY FOR THE EXPRESSED PURPOSES AGREED UPON BY AN AUTHORIZED OFFICER OF THERMO FISHER SCIENTIFIC.

ThermoFisher
SCIENTIFIC

Thermo Fisher Scientific
75 Panorama Creek Drive
Rochester, NY 14625-2385, USA

MADE	MC ²	APP'D	PVC	PSS 3X-2800-0045	REV.	0302
CK'D	PVC		4/8/02			
DESCRIPTION:						
MICRO PACKAGING VIAL, 4.5mL						