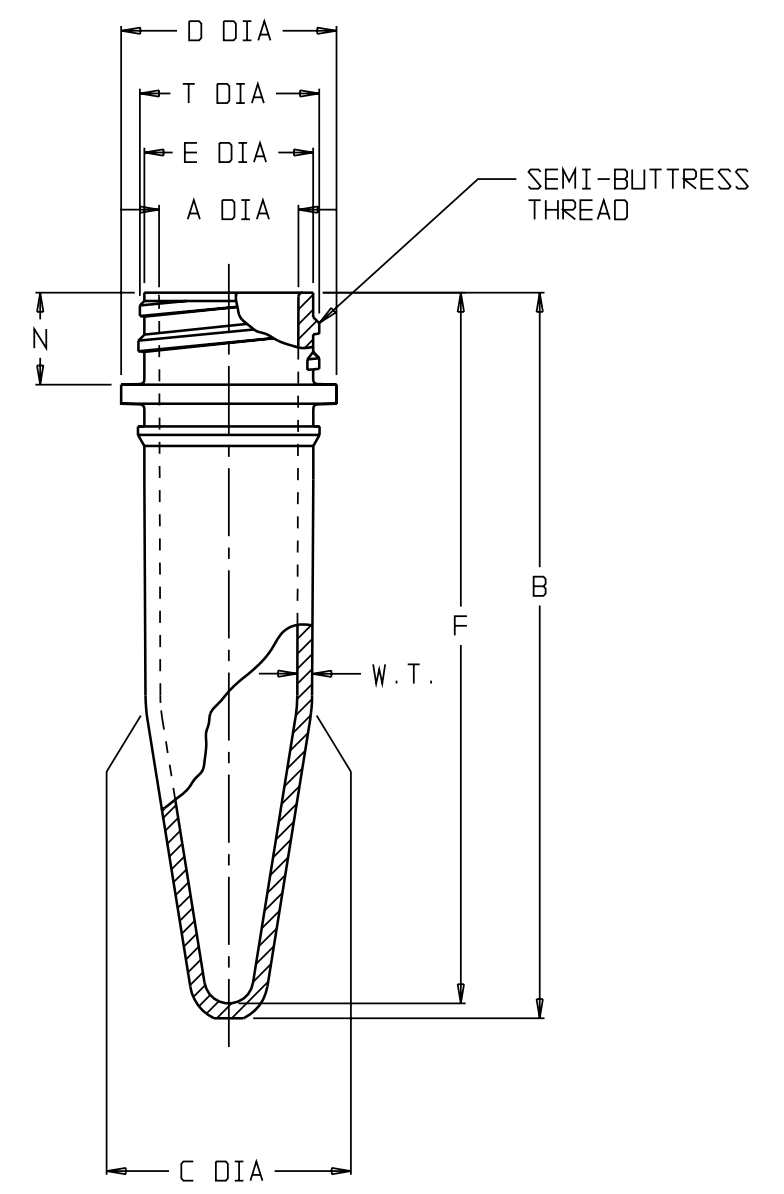


CATALOG NUMBERS.....:	342800-0015 (STERILE)	
	362800-0015 (NON-STERILE)	
SIZE (NOM VOL mL)...:	1.5	
NOM. BRIM CAP. (mL):	1.9	
NECK FINISH (mm)...:	11	
THREAD (T.P.I.).....:	12	
NOM. WEIGHT (gms)...:	1.0	
DIM. FOR IN./CM.....:	INCH	MM
A (NECK I.D.).....:	.330 ±.005	8.4 ± 0.1
B (HT. W/O CLOSURE):	1.716 ±.010	43.6± 0.3
C (DIA).....:	.395 ±.005	10.0 ± 0.1
D (NECK DIA).....:	.510 ±.005	12.9 ± 0.1
N (NECK HEIGHT).....:	.218 ±.005	5.5 ± 0.1
T (MAJOR THD. DIA)..:	.430 ±.005	10.9 ± 0.1
E (MINOR THD. DIA)..:	.400 ±.004	10.2 ± 0.1
F (WELL DEPTH).....:	1.680 ±.010	42.7 ± 0.3
W.T.(NOM. WALL THK):	.035	0.88



NOT TO SCALE

SPECS ON BACK

**CONFIDENTIAL**

THIS PRODUCT SPECIFICATION SHEET CONTAINS CONFIDENTIAL AND/OR PROPRIETARY INFORMATION AND IS TO BE USED ONLY FOR THE EXPRESSED PURPOSES AGREED UPON BY AN AUTHORIZED OFFICER OF THERMO FISHER SCIENTIFIC.

<b>ThermoFisher</b>		Thermo Fisher Scientific	
<b>SCIENTIFIC</b>		75 Panorama Creek Drive	
		Rochester, NY 14625-2385, USA	
MADE	PB	APP'D	GRP
CK'D	GRP	5/18/09	PSS 3X-2800-0015
DESCRIPTION:			REV. 0509
MICRO PACKAGING VIAL, 1.5mL			

- This is not a production drawing, but is for informational purposes only, and is subject to change without notice.
- All dimensions are nominal and in inches and millimeters unless otherwise noted.