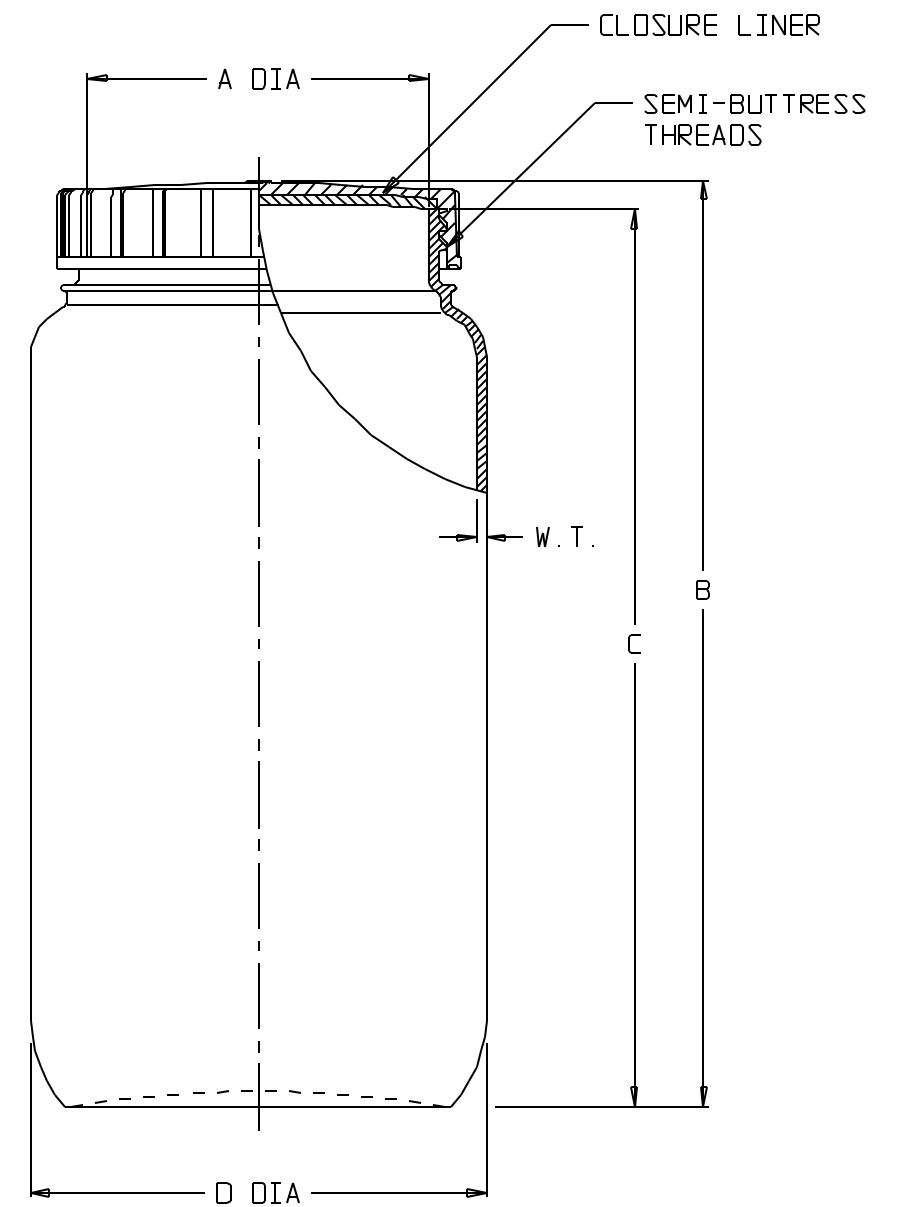


CATALOG NO.....:		2101-2200
SIZE (NOM VOL L.)...:		2.2
NOM. BRIM CAP. (mL):		2280
MATERIAL	BOTTLE.....:	TEFLON FEP
	CLOSURE.....:	WHITE PP
	CLOS. LINER.:	TEFLON
NECK FINISH (mm)...:		100
THREAD (T.P.I.).....:		5
NOM. WEIGHT W/CLOSURE (gns).....:		330
		IN.      MM
A (BTL. NECK I.D.)...:		3.49 ±.06      88.6 ±1.5
B (HT. W/CLOSURE)...:		9.4              239
C (HT. W/O CLOSURE):		9.21 ±.14      233.9 ±3.6
D (DIA).....:		4.69 ±.12      119.1 ±3.0
W.T.(NOM. WALL THK):		0.05            1.3



SPECS ON BACK

NOT TO SCALE

NOTES:

1. ALL DIMENSIONS ARE NOMINAL AND IN INCHES AND MILLIMETERS UNLESS OTHERWISE NOTED.
2. THIS IS NOT A PRODUCTION DRAWING, BUT IS FOR INFORMATIONAL PURPOSES ONLY, AND IS SUBJECT TO CHANGE WITHOUT NOTICE.

CONFIDENTIAL

THIS PRODUCT SPECIFICATION SHEET CONTAINS CONFIDENTIAL AND/OR PROPRIETARY INFORMATION AND IS TO BE USED ONLY FOR THE EXPRESSED PURPOSES AGREED UPON BY AN AUTHORIZED OFFICER OF THERMO FISHER SCIENTIFIC.

**ThermoFisher**  
SCIENTIFIC

Thermo Fisher Scientific  
75 Panorama Creek Drive  
Rochester, NY 14625-2385, USA

MADE	MCC	APP'D	PVC	PSS 00-2101-2200	REV. 0603
CK'D	PVC		6/4/03		

DESCRIPTION:  
WIDE MOUTH EP TOX BOTTLE