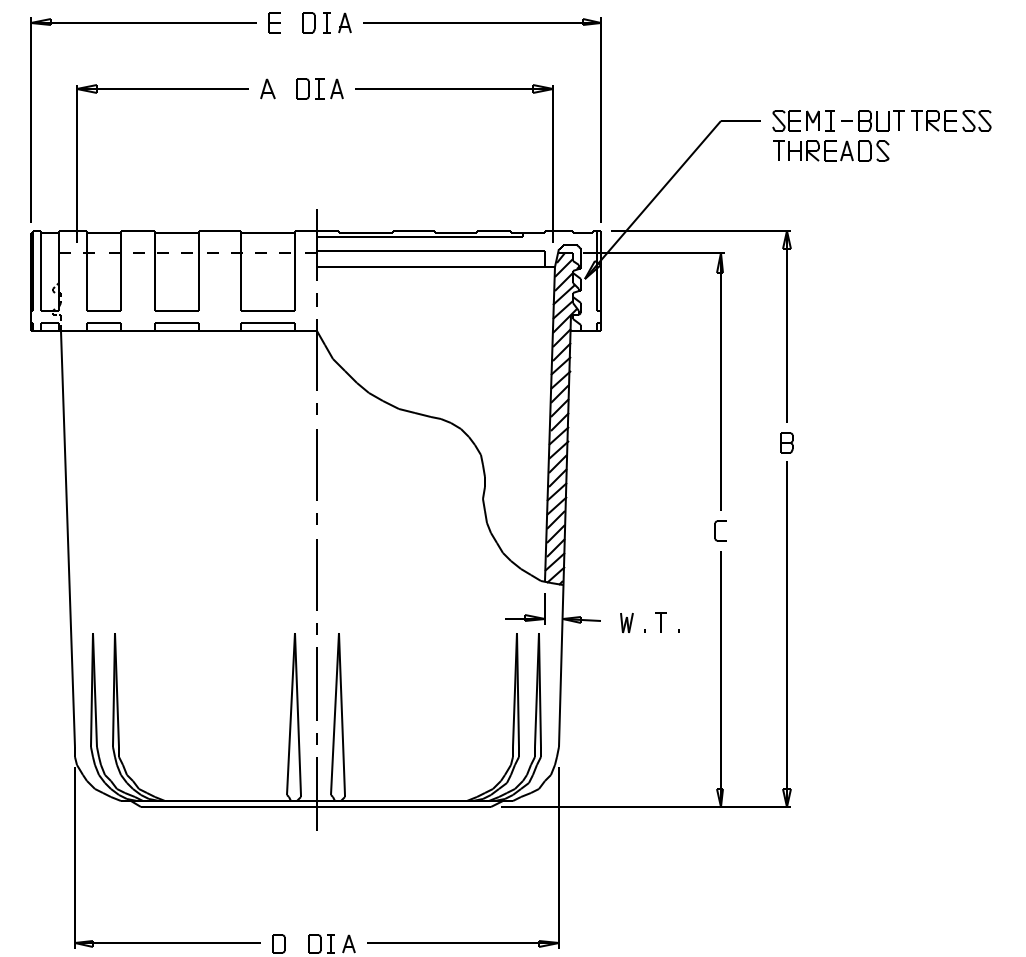


CATALOG NO.	NOMINAL CAPACITY (oz)	MATERIALS	
		JAR	CLOSURE
002113	32	PFA	PFA

SIZE CODE.....:	-1000
SIZE (NOM VOL mL/oz)	1000/ 32
NOM. BRIM CAP. (mL):	1050
NECK FINISH (mm)....:	120
THREAD (T.P.I.).....:	5
NOM. WEIGHT W/CLOSURE (gms).....:	320
A (NECK I.D.).....:	4.35 ±.08
B (HT. W/CLOSURE)....:	5.20 ±.12
C (HT. W/O CLOSURE):	5.10 ±.12
D (DIA).....:	4.22 ±.08
E (CLOSURE O.D.)....:	5.10 ±.10
W.T.(NOM. WALL THK):	0.12

NOTES:

1. ALL DIMENSIONS ARE NOMINAL AND IN INCHES AND MILLIMETERS UNLESS OTHERWISE NOTED.
2. THIS IS NOT A PRODUCTION DRAWING, BUT IS FOR INFORMATIONAL PURPOSES ONLY, AND IS SUBJECT TO CHANGE WITHOUT NOTICE.



SPECS ON BACK

NOT TO SCALE

CONFIDENTIAL

THIS PRODUCT SPECIFICATION SHEET CONTAINS CONFIDENTIAL AND/OR PROPRIETARY INFORMATION AND IS TO BE USED ONLY FOR THE EXPRESSED PURPOSES AGREED UPON BY AN AUTHORIZED OFFICER OF THERMO FISHER SCIENTIFIC.

**ThermoFisher**  
**SCIENTIFIC**

Thermo Fisher Scientific  
75 Panorama Creek Drive  
Rochester, NY 14625-2385, USA

MADE	MG	APP'D	PVC	PSS 00-2113-1000	REV.	—
CHK'D	PVC		2/15/91			
DESCRIPTION:				STRAIGHT-SIDE LAB QUALITY JARS		