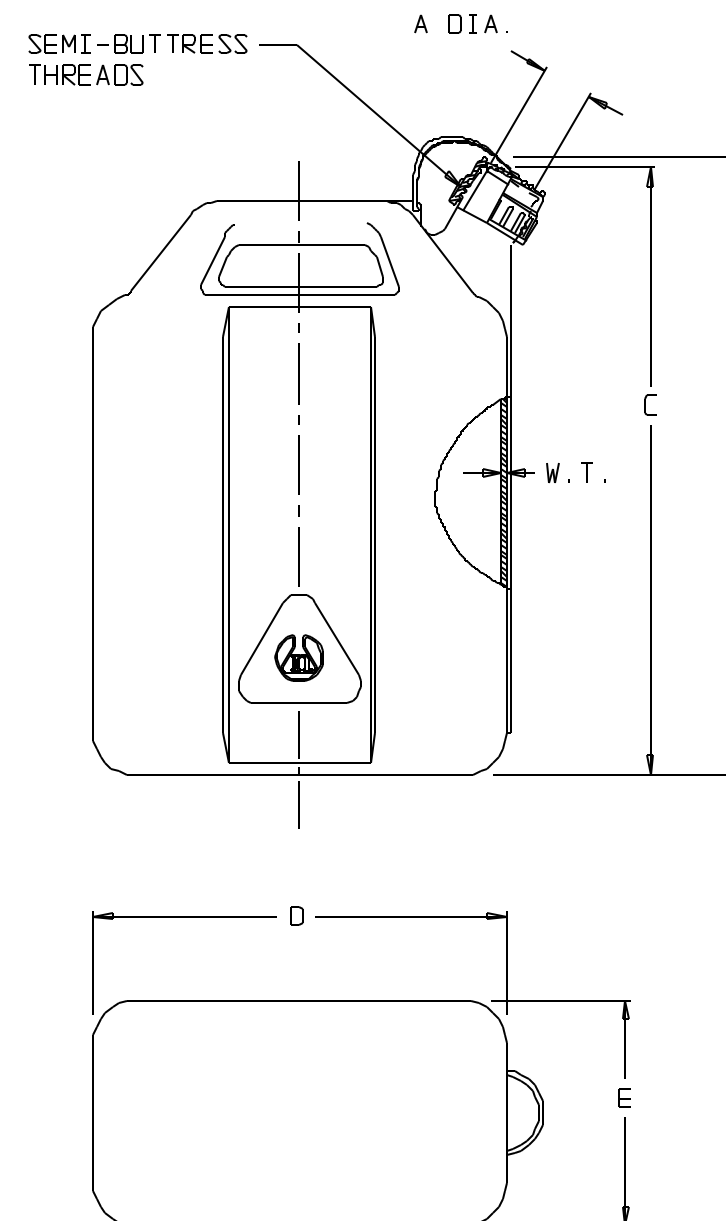


CATALOG NO.	NOMINAL CAPACITY (GAL)			MATERIALS	
				JERRICAN	CLOSURE
002240	1.5	2.5	5	HOPE	WHITE PP

SIZE CODE.....:	-0015		-0025		-0050	
SIZE (NOM VOL L/GAL):	6/1.5		10/2.5		20/5	
NOM. BRIM CAP. (L):	7.6		12		24	
NECK FINISH (mm):	53B		53B		53B	
THREAD (T.P.I.):	4		4		4	
NOM. WEIGHT W/ CLOSURE(gms):	920		1120		1580	
	INCH	MM	INCH	MM	INCH	MM
A (NECK I.D.):	1.41 ±0.04	35.8 ±1.0	1.48 ±0.04	37.6 ±1.0	1.60 ±0.04	40.6 ±1.0
B (HT. W/ CLOSURE):	13.2 ±0.2	335.3 ±5.1	14.8 ±0.2	375.9 ±5.1	17.8 ±0.3	452.1 ±7.6
C (HT. W/O CLOSURE):	12.9 ±0.2	327.7 ±5.1	14.5 ±0.2	368.3 ±5.1	17.6 ±0.3	447.0 ±7.6
D (WIDTH):	8.38 ±0.14	212.9 ±3.6	9.70 ±0.15	246.4 ±3.8	12.6 ±0.2	320.0 ±5.1
E (DEPTH):	6.94 ±0.12	176.3 ±3.0	7.82 ±0.13	198.6 ±3.3	9.64 ±0.15	244.9 ±3.8
W.T.(NOM WALL THK):	0.18	4.6	0.20	5.1	0.22	5.6

NOTES:

1. ALL DIMENSIONS ARE NOMINAL AND IN INCHES AND MILLIMETERS UNLESS OTHERWISE NOTED.
2. THIS IS NOT A PRODUCTION DRAWING, BUT IS FOR INFORMATIONAL PURPOSES ONLY, AND IS SUBJECT TO CHANGE WITHOUT NOTICE.



SPECS ON BACK

NOT TO SCALE

CONFIDENTIAL

THIS PRODUCT SPECIFICATION SHEET CONTAINS CONFIDENTIAL AND/OR PROPRIETARY INFORMATION AND IS TO BE USED ONLY FOR THE EXPRESSED PURPOSES AGREED UPON BY AN AUTHORIZED OFFICER OF THERMO FISHER SCIENTIFIC.

**ThermoFisher
SCIENTIFIC**

Thermo Fisher Scientific
75 Panorama Creek Drive
Rochester, NY 14625-2385, USA

MADE	MCC	APP'D	ORAL	PSS 00-2240-XXXX-1	REV.
CK'D	PB	8/19/93			0893
DESCRIPTION:					JERRICANS