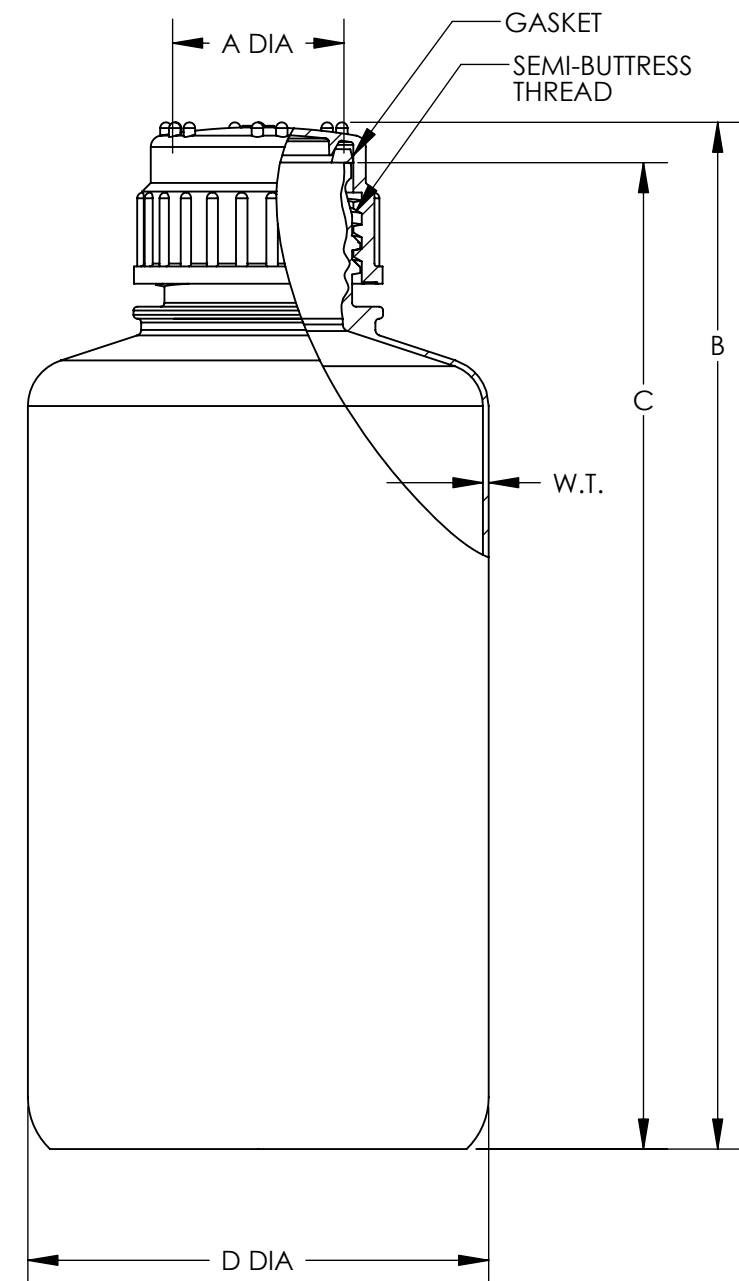


CATALOG NO.	NOMINAL CAPACITY ml / oz.	MATERIALS		
		BOTTLE	CLOSURE	GASKET
DS2127-0250	250 / 8	PC	WHITE PP	TPE
DS2127-2000	2000 / 64	PC	WHITE PP	TPE

CATALOG NUMBER.....:	DS-2127-0250		DS-2127-2000	
SIZE (NOM VOL mL/oz):	250/8		2000/64	
NOM. BRIM CAP. (ml):	380		2370	
NECK FINISH (mm):	53B		53B	
THREAD (T.P.I.):	4		4	
NOM. WEIGHT WITH CLOSURE (gms):	90		210	
	INCH	MM	INCH	MM
A (NECK I.D.):	1.78	45.2	1.65	41.9
B (HT. W/ CLOSURE):	5.32 ±0.07	135.1 ±1.8	10.61 ±0.12	269.5 ±3.0
C (HT W/O CLOSURE):	5.05 ±0.07	128.3 ±1.8	10.25 ±0.12	260.4 ±3.0
D (DIA):	2.93 ±0.07	74.4 ±1.3	4.83 ±0.10	122.7 ±2.5
W.T. (NOM. WALL THK):	0.05	1.3	0.035	0.89

1. ALL DIMENSIONS ARE NOMINAL AND IN INCHES AND MILLIMETERS UNLESS OTHERWISE NOTED.
2. THIS IS NOT A PRODUCTION DRAWING, BUT IS FOR INFORMATIONAL PURPOSES ONLY, AND IS SUBJECT TO CHANGE WITHOUT NOTICE.



SPECS ON BACK

NOT TO SCALE

CONFIDENTIAL

THIS PRODUCT SPECIFICATION SHEET CONTAINS CONFIDENTIAL AND/OR PROPRIETARY INFORMATION AND IS TO BE USED ONLY FOR THE EXPRESSED PURPOSES AGREED UPON BY AN AUTHORIZED OFFICER OF THERMO FISHER SCIENTIFIC.

ThermoFisher
SCIENTIFIC

Thermo Fisher Scientific
75 Panorama Creek Drive
Rochester, NY 14625-2385, USA

MADE	JDD	APP'D	PVC	REV.	0706
CK'D	KR	7/18/06		PSS DS-2127-XXXX	

DESCRIPTION: **VALIDATION BOTTLE**